



COMMONWEALTH OF KENTUCKY
TRANSPORTATION CABINET

www.transportation.ky.gov/

Andy Beshear
GOVERNOR

Jim Gray
SECRETARY

September 22, 2021

CALL NO. 104
CONTRACT ID NO. 211334
ADDENDUM # 1

Subject: Kenton County, CM 0758 (106)
Letting September 24, 2021

(1) Revised - Plan Sheets - R14 and R14A

Proposal revisions are available at <http://transportation.ky.gov/Construction-Procurement/>.

If you have any questions, please contact us at 502-564-3500.

Sincerely,

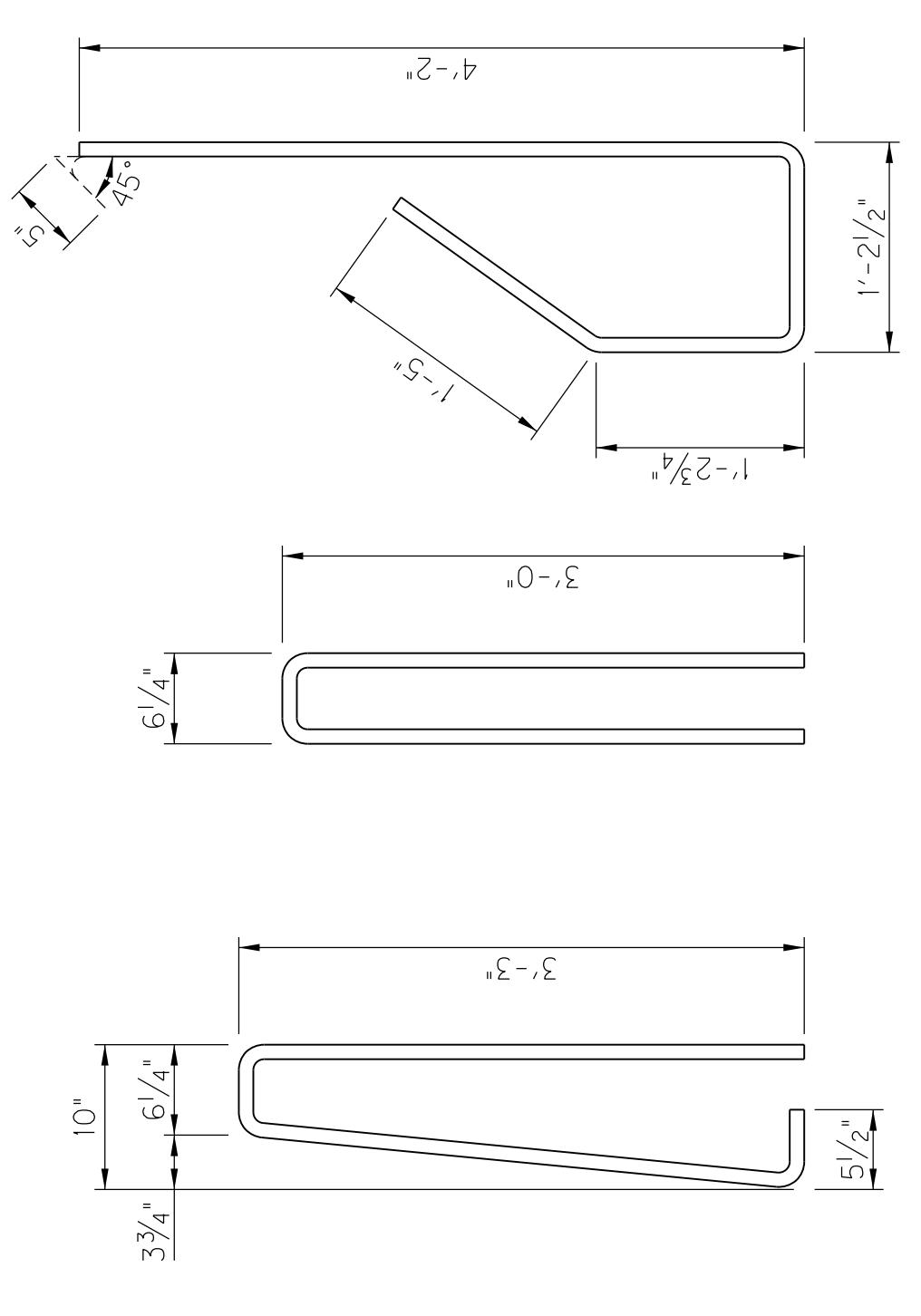
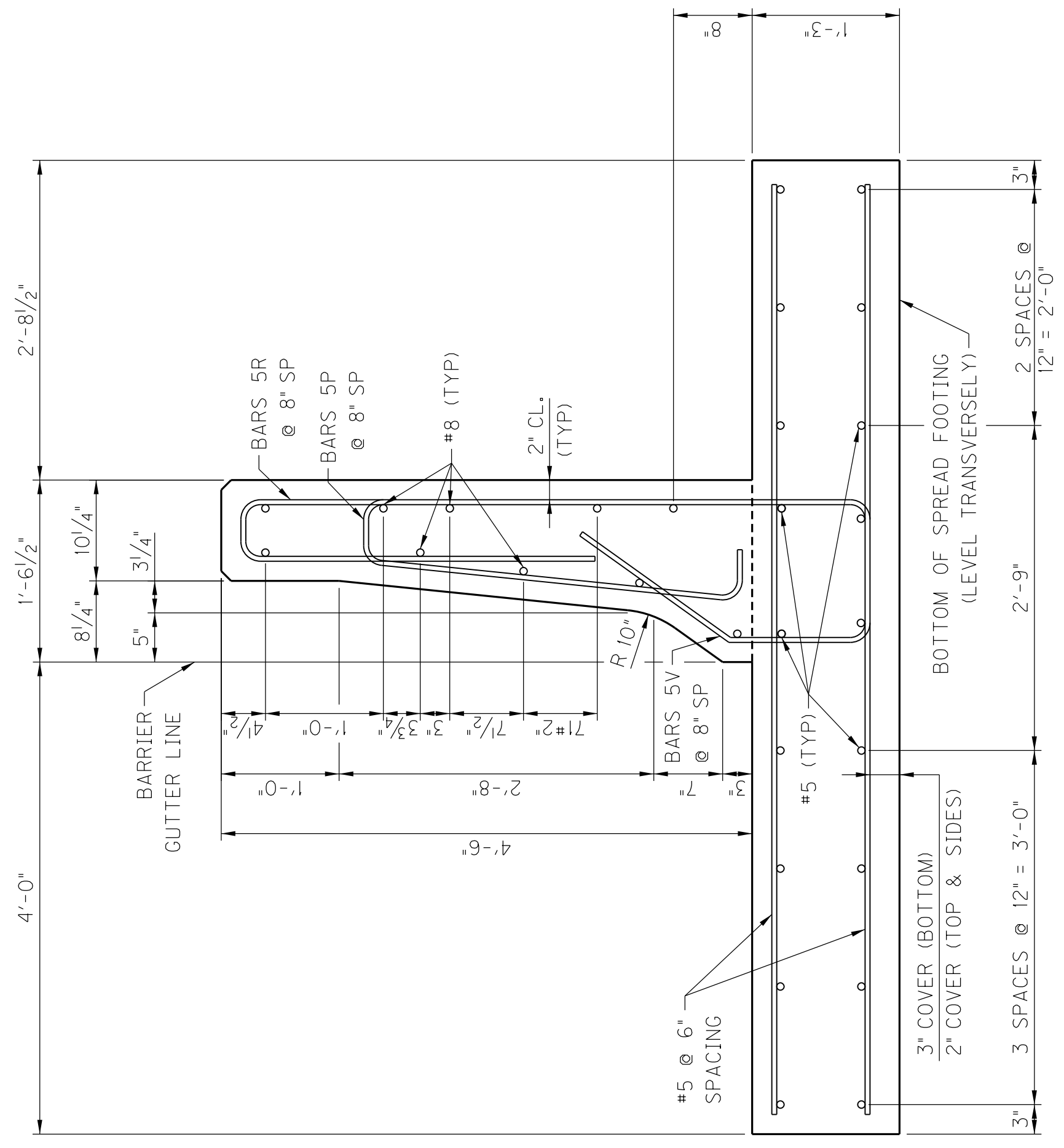
Rachel Mills,

A handwritten signature in black ink that reads "Rachel Mills".

Rachel Mills, P.E.
Director
Division of Construction Procurement

RM:mr
Enclosures

COUNTY OF	ITEM NO.	SHEET NO.
KENTON	6-82.00	R14



**STIRRUP
BAR 5P**

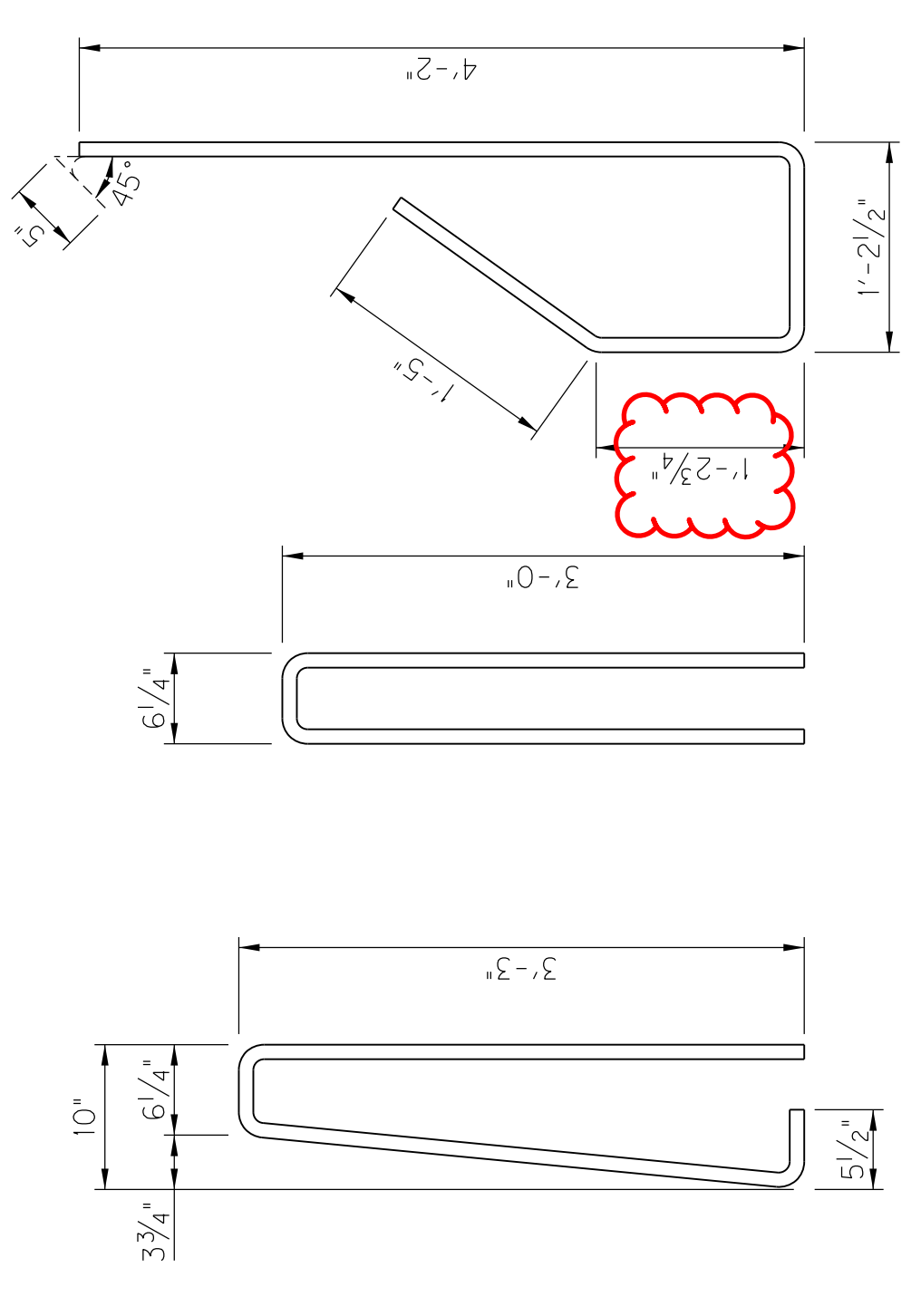
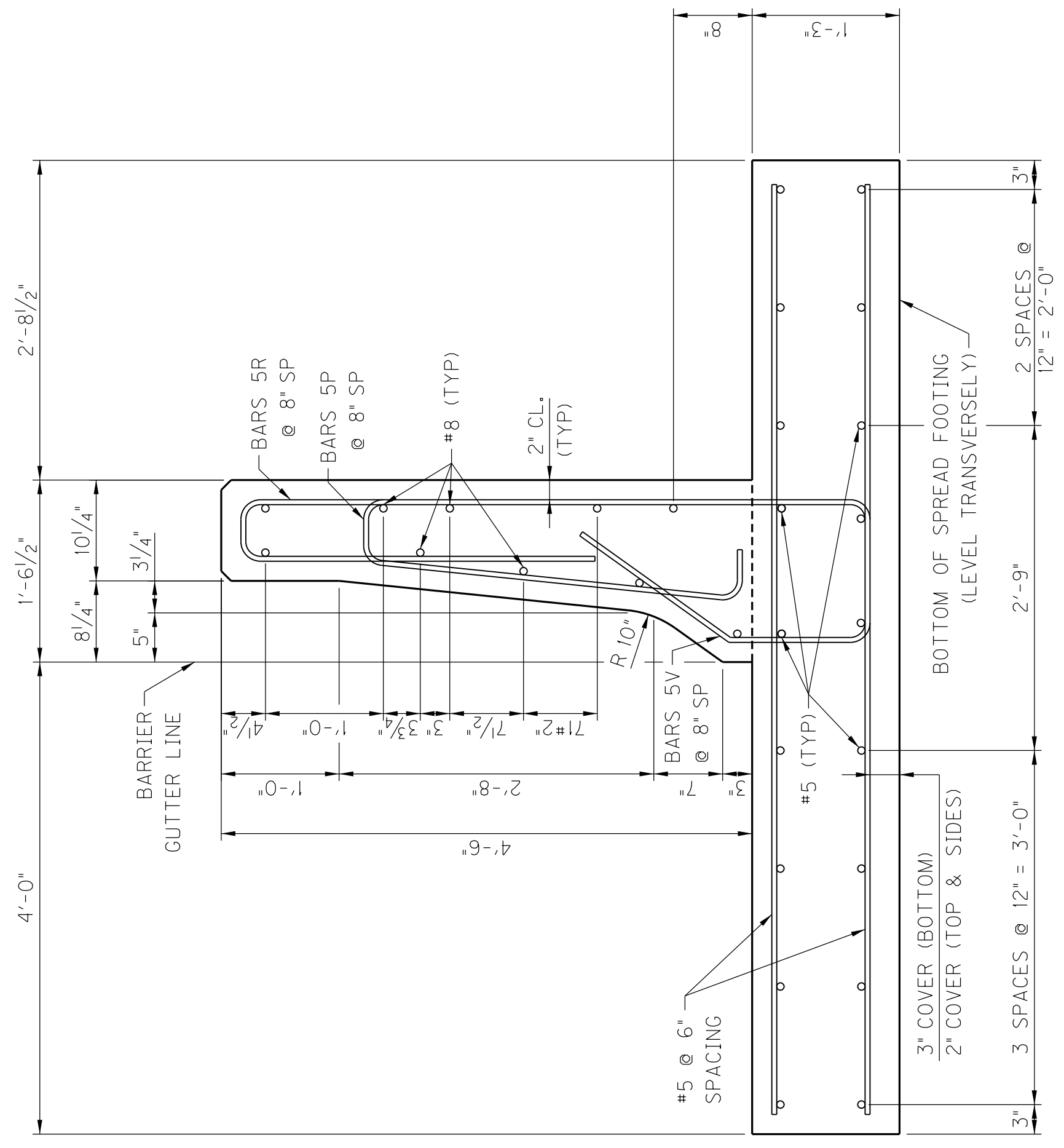
**STIRRUP
BAR 5R**

**STIRRUP
BAR 5V**

NOTE: ALL REBAR SHALL BE EPOXY COATED
 #8 SPLICE = 5'-3"
 #5 SPLICE = 2'-7"

1 ESTIMATED QUANTITIES: 0.55 CUBIC YARDS CLASS AA CONCRETE AND 117.1 LBS. STEEL REINFORCEMENT, PER LINEAR FOOT OF WALL. THE CONTRACT UNIT PRICE PER LINEAR FOOT FOR CONC BARRIER WALL TY 9B - (54 INCH) SHALL BE FULL COMPENSATION FOR ALL MATERIALS, EQUIPMENT, LABOR, AND INCIDENTALS NECESSARY TO COMPLETE THE WORK.

COUNTY OF	ITEM NO.	SHEET NO.
KENTON	6-82.00	R14



STIRRUP
BAR 5P

STIRRUP
BAR 5R

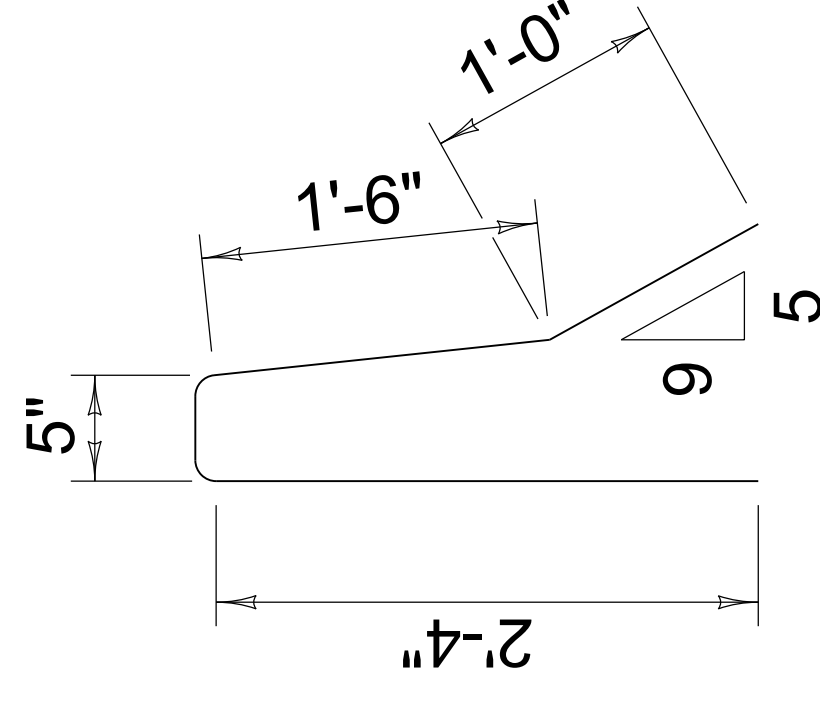
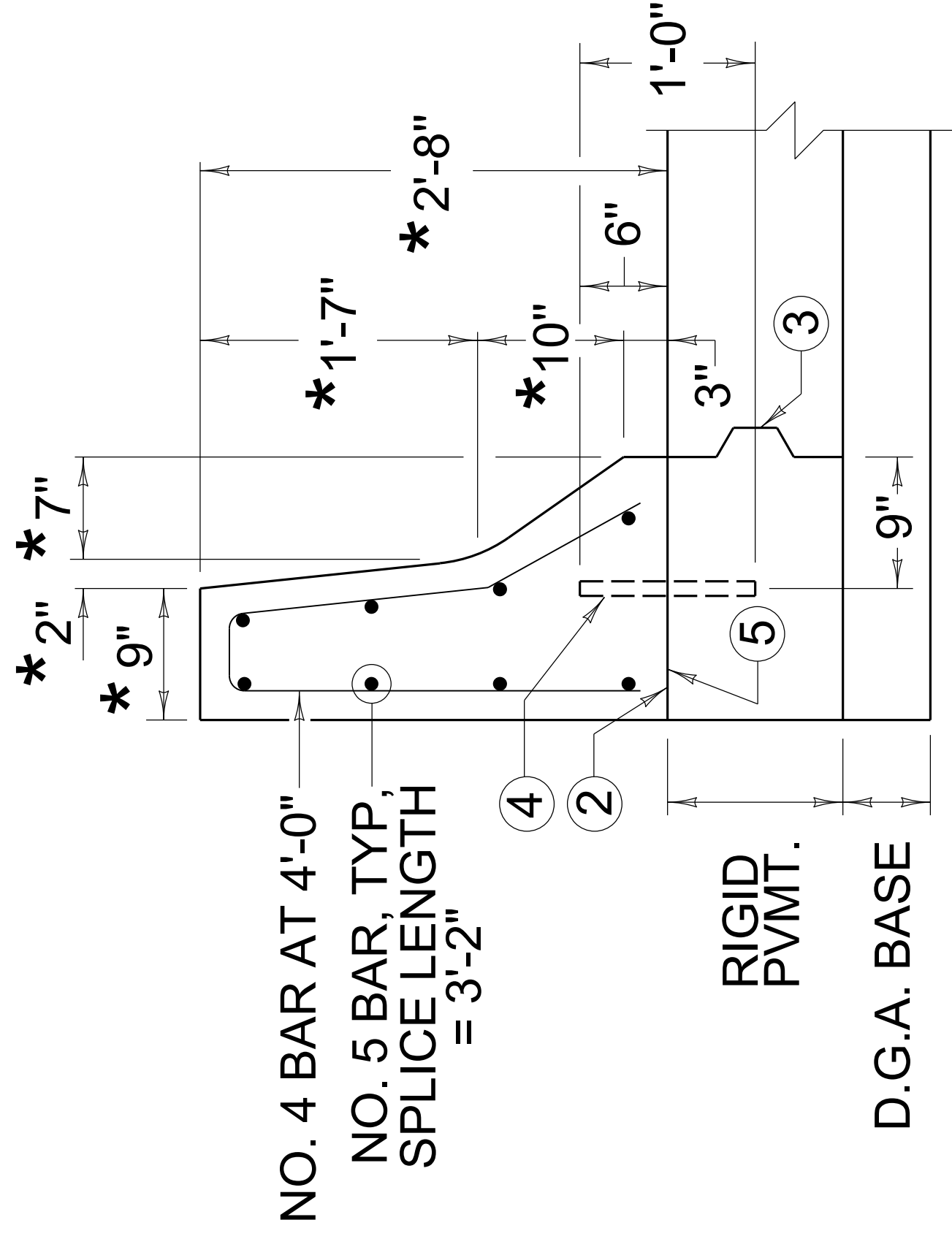
STIRRUP
BAR 5V

NOTE: ALL REBAR SHALL BE EPOXY COATED
#8 SPLICE = 5'-3"
#5 SPLICE = 2'-7"

1 ESTIMATED QUANTITIES: 0.55 CUBIC YARDS CLASS AA CONCRETE AND 117.1 LBS. STEEL REINFORCEMENT, PER LINEAR FOOT OF WALL. THE CONTRACT UNIT PRICE PER LINEAR FOOT FOR CONC BARRIER WALL TY 9B - (54 INCH) SHALL BE FULL COMPENSATION FOR ALL MATERIALS, EQUIPMENT, LABOR, AND INCIDENTALS NECESSARY TO COMPLETE THE WORK.

COUNTY OF	ITEM NO.	SHEET NO.
KENTON	6-82.00	R14A

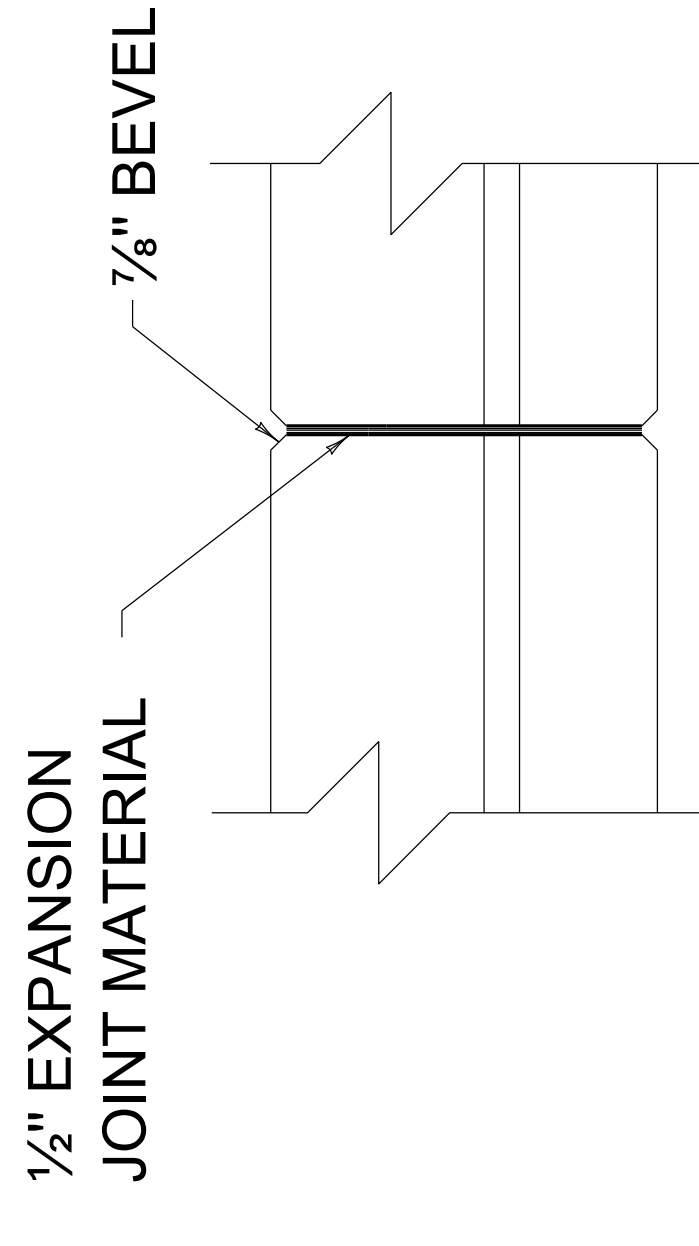
TYPE 9B



DETAIL OF NO. 4 BAR

* ADJUST/TRANSITION BARRIER DIMENSIONS AS NEEDED TO MATCH BARRIER SHAPES AT FOLLOWING TIE-IN LOCATIONS:

- RAMP A - SOIL NAIL WALL SEGMENT 1
- RAMP B - SOIL NAIL WALL SEGMENT 3
- RAMP C - EXISTING WALLS AT STA 10+20 BL RAMP C
- RAMP C - RAMP C OVER RAMP B BRIDGE ENDS



EXPANSION JOINT DETAIL

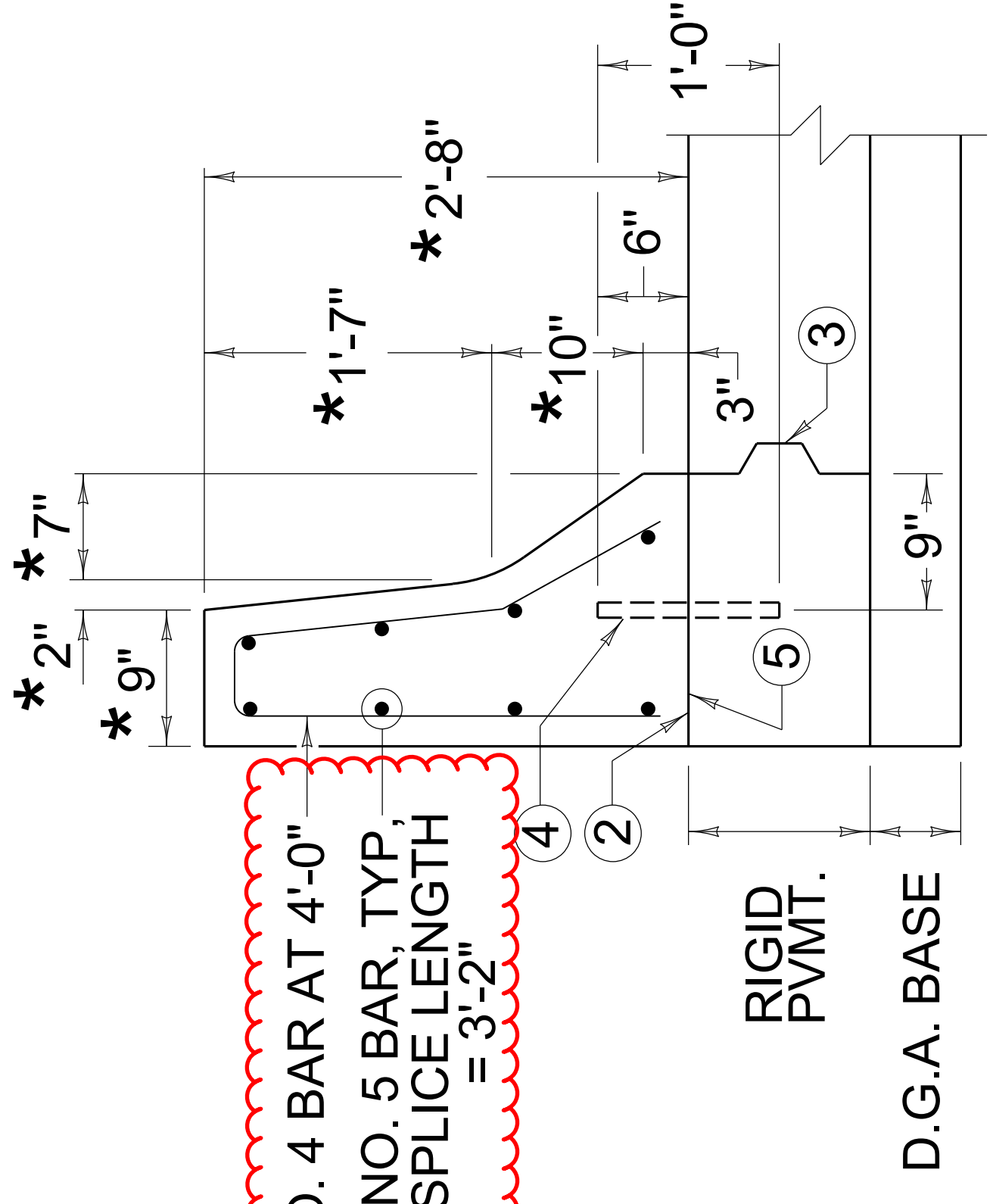
- 1 ESTIMATED QUANTITIES: 0.10 CUBIC YARDS CLASS AA CONCRETE AND 10.3 LBS. STEEL REINFORCEMENT, PER LINEAR FOOT OF WALL. THE CONTRACT UNIT PRICE PER LINEAR FOOT FOR CONC BARRIER TY 9B SHALL BE FULL COMPENSATION FOR ALL MATERIALS, EQUIPMENT, LABOR, AND INCIDENTALS NECESSARY TO COMPLETE THE WORK.
- 2 WHEN A CONSTRUCTION JOINT IS USED, DOWEL BARS WILL BE REQUIRED AS SHOWN, SEE NOTE 5.
- 3 LONGITUDINAL CONSTRUCTION JOINT WITHOUT TIE BARS IS REQUIRED AND SHALL BE PLACED AT THE LOCATION SHOWN. IT SHALL BE REQUIRED ON THE LOW SIDE OF A SUPERELEVATED SECTION.
- 4 NO. 8 DOWEL BARS SPACED 4'-0" O.C.
- 5 CONSTRUCTION JOINT PERMITTED WHEN FIXED FORMS ARE USED.
- 6 ALL REBAR SHALL BE EPOXY COATED

COUNTY OF	ITEM NO.	SHEET NO.
KENTON	6-82.00	R14A

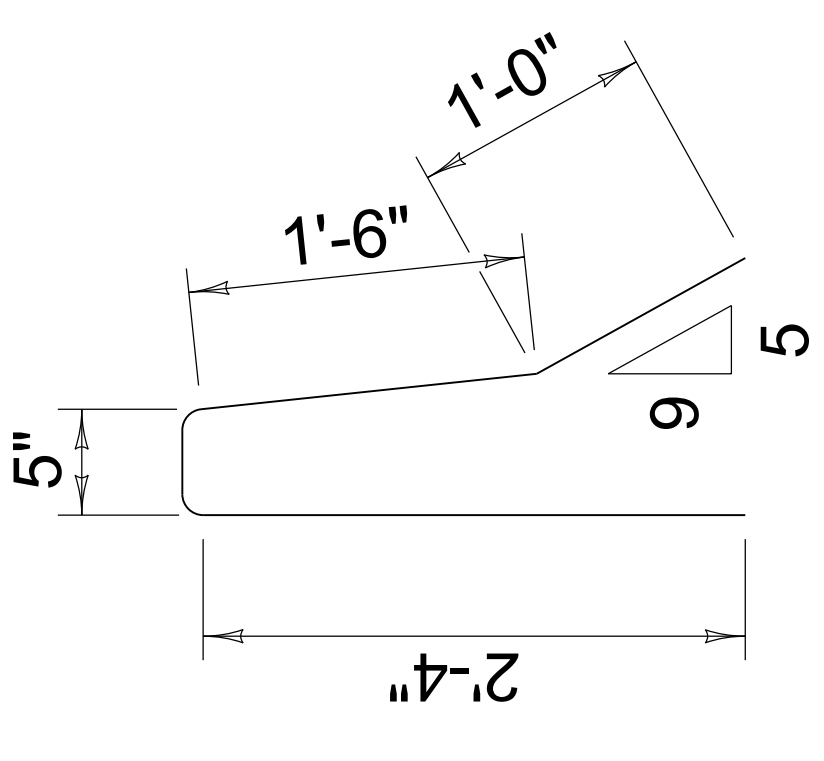
*** ADJUST/TRANSITION BARRIER DIMENSIONS AS NEEDED TO MATCH BARRIER SHAPES AT FOLLOWING TIE-IN LOCATIONS:**

- RAMP A - SOIL NAIL WALL SEGMENT 1
- RAMP B - SOIL NAIL WALL SEGMENT 3
- RAMP C - EXISTING WALLS AT STA 10+20 BL RAMP C
- RAMP C - RAMP C OVER RAMP B BRIDGE ENDS

TYPE 9B

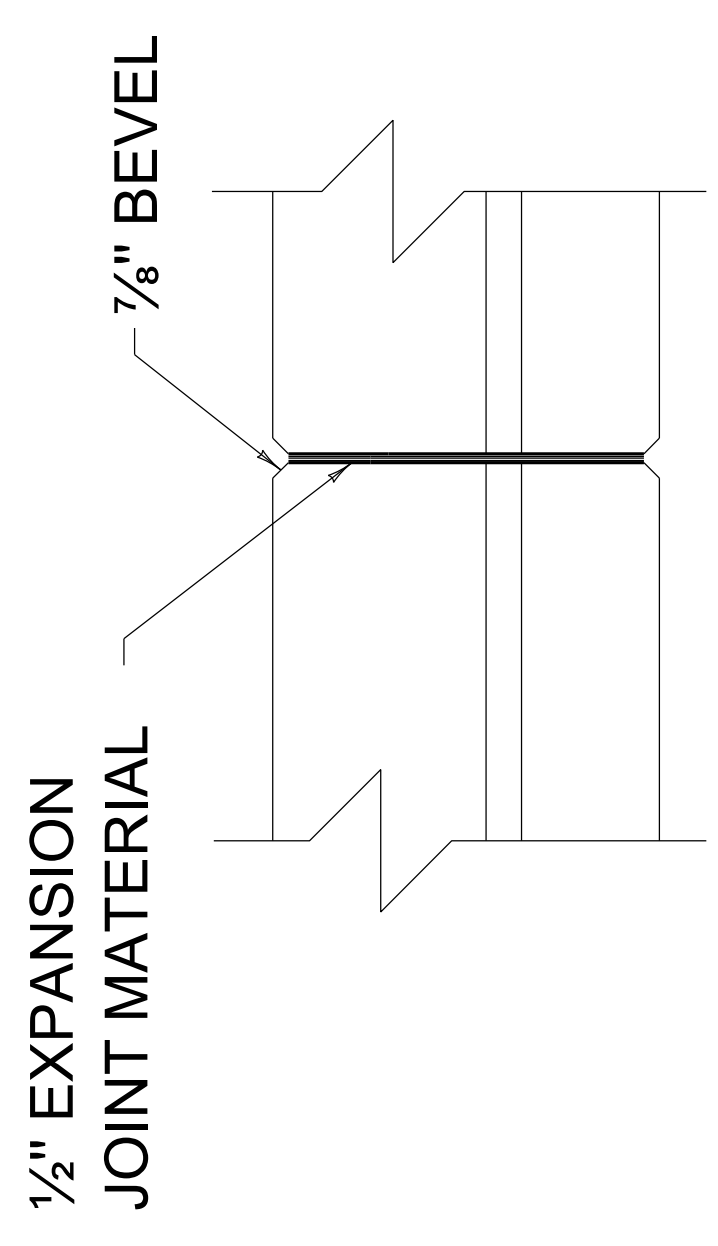


NO. 4 BAR AT 4'-0"
NO. 5 BAR, TYP,
SPLICE LENGTH
= 3'-2"



DETAIL OF NO. 4 BAR

- 1 ESTIMATED QUANTITIES: 0.10 CUBIC YARDS CLASS AA CONCRETE AND 10.3 LBS. STEEL REINFORCEMENT, PER LINEAR FOOT OF WALL. THE CONTRACT UNIT PRICE PER LINEAR FOOT FOR CONC BARRIER TYPE 9B SHALL BE FULL COMPENSATION FOR ALL MATERIALS, EQUIPMENT, LABOR, AND INCIDENTALS NECESSARY TO COMPLETE THE WORK.
- 2 WHEN A CONSTRUCTION JOINT IS USED, DOWEL BARS WILL BE REQUIRED AS SHOWN, SEE NOTE 5.
- 3 LONGITUDINAL CONSTRUCTION JOINT WITHOUT TIE BARS IS REQUIRED AND SHALL BE PLACED AT THE LOCATION SHOWN. IT SHALL BE REQUIRED ON THE LOW SIDE OF A SUPERELEVATED SECTION.
- 4 NO. 8 DOWEL BARS SPACED 4'-0" O.C.
- 5 CONSTRUCTION JOINT PERMITTED WHEN FIXED FORMS ARE USED.
- 6 ALL REBAR SHALL BE EPOXY COATED



EXPANSION JOINT DETAIL

SCALE: NTS

I-75/1-71 TURNAROUND
TYPE 9B SHOULDER BARRIER WALL
DETAIL SHEET